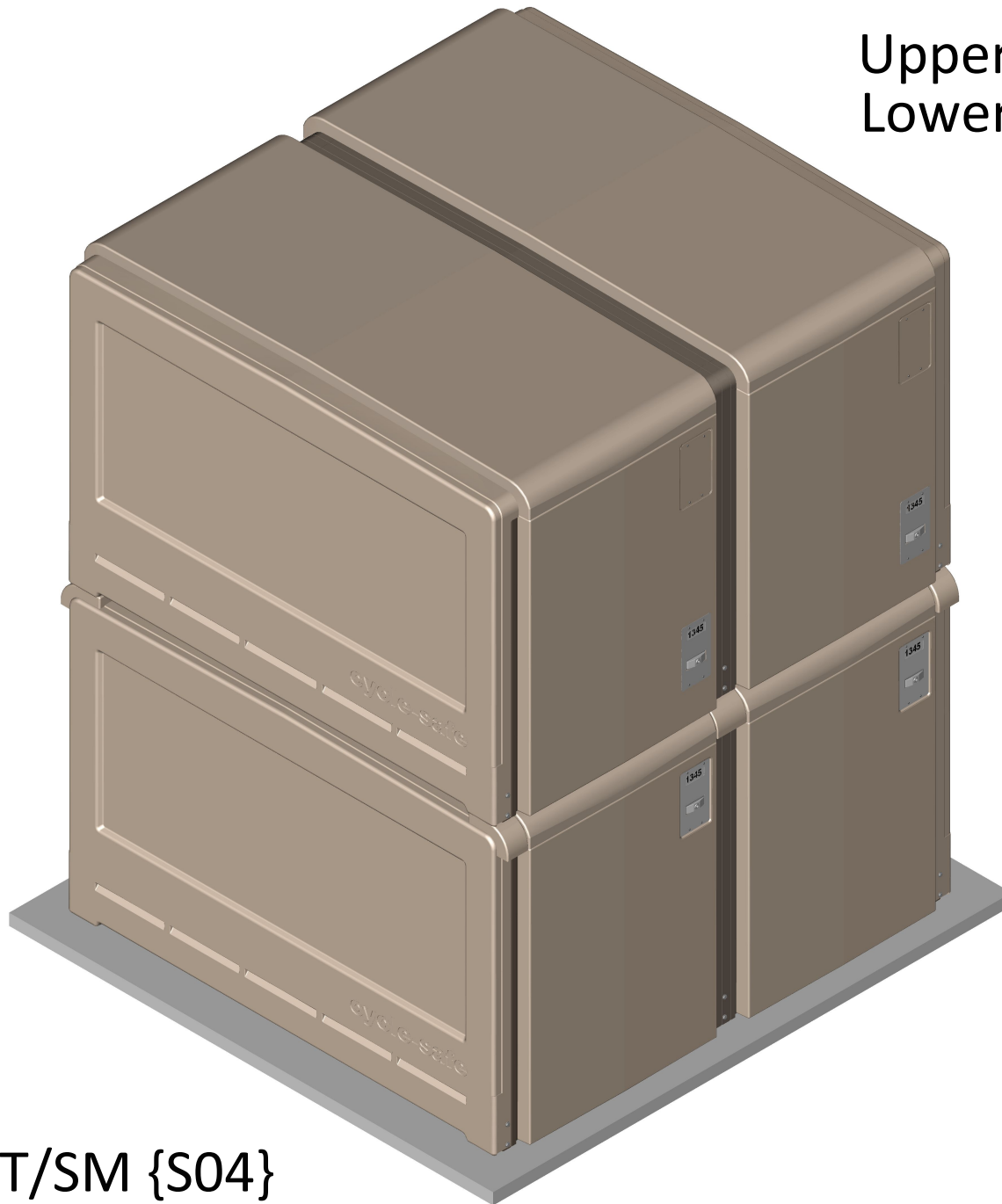
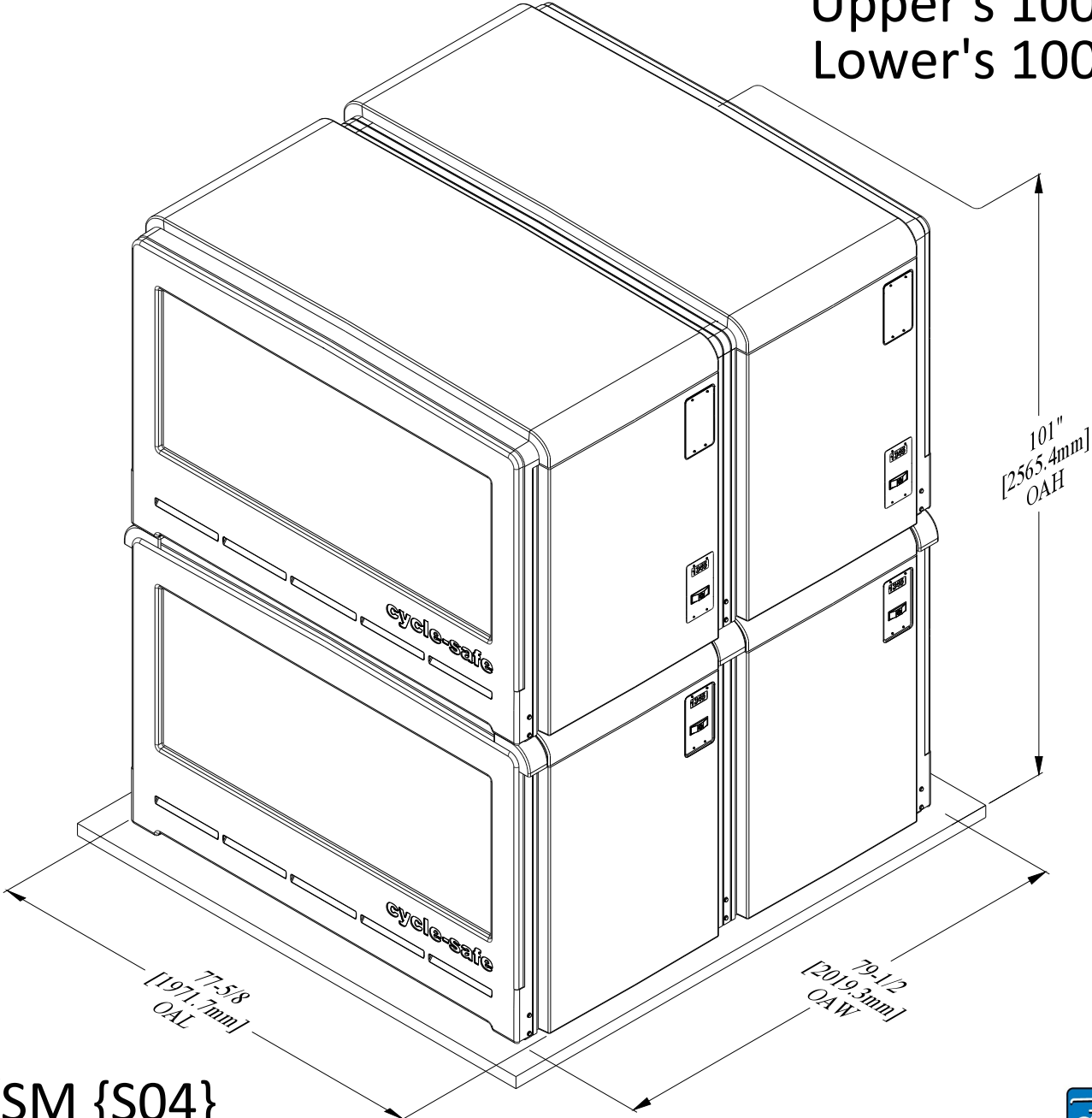


Upper's 10031 & 10051  
Lower's 10017 & 10019



ProPark DT/SM {S04}  
{2-Tier} Standard Locker {Iso}

Upper's 10031 & 10051  
Lower's 10017 & 10019

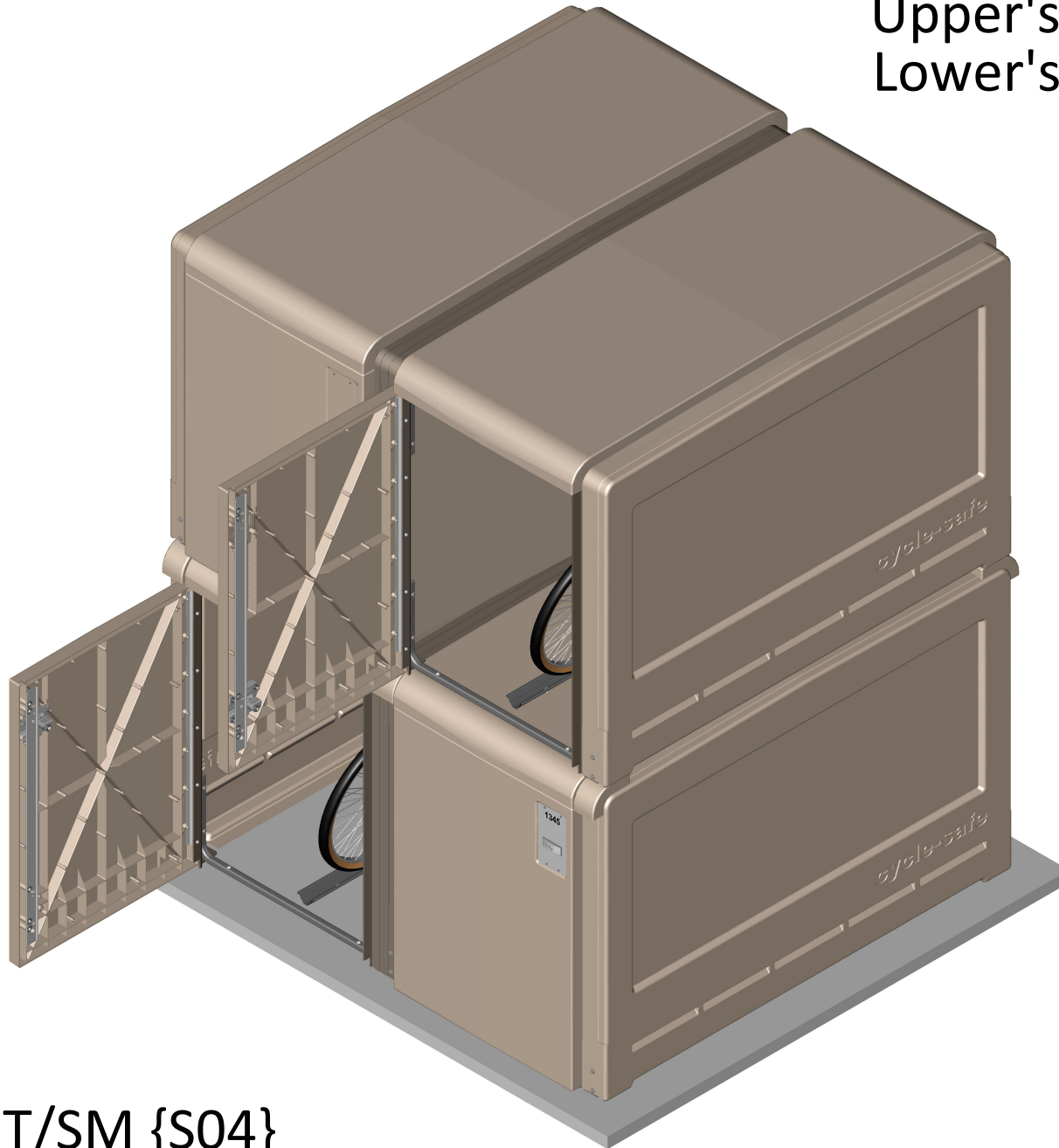


ProPark DT/SM {S04}  
{2-Tier} Standard Locker {Dims}



[www.cyclesafe.com](http://www.cyclesafe.com)

Upper's 10031 & 10051  
Lower's 10017 & 10019



ProPark DT/SM {S04}  
{2-Tier} Standard Locker {Open}



[www.cyclesafe.com](http://www.cyclesafe.com)

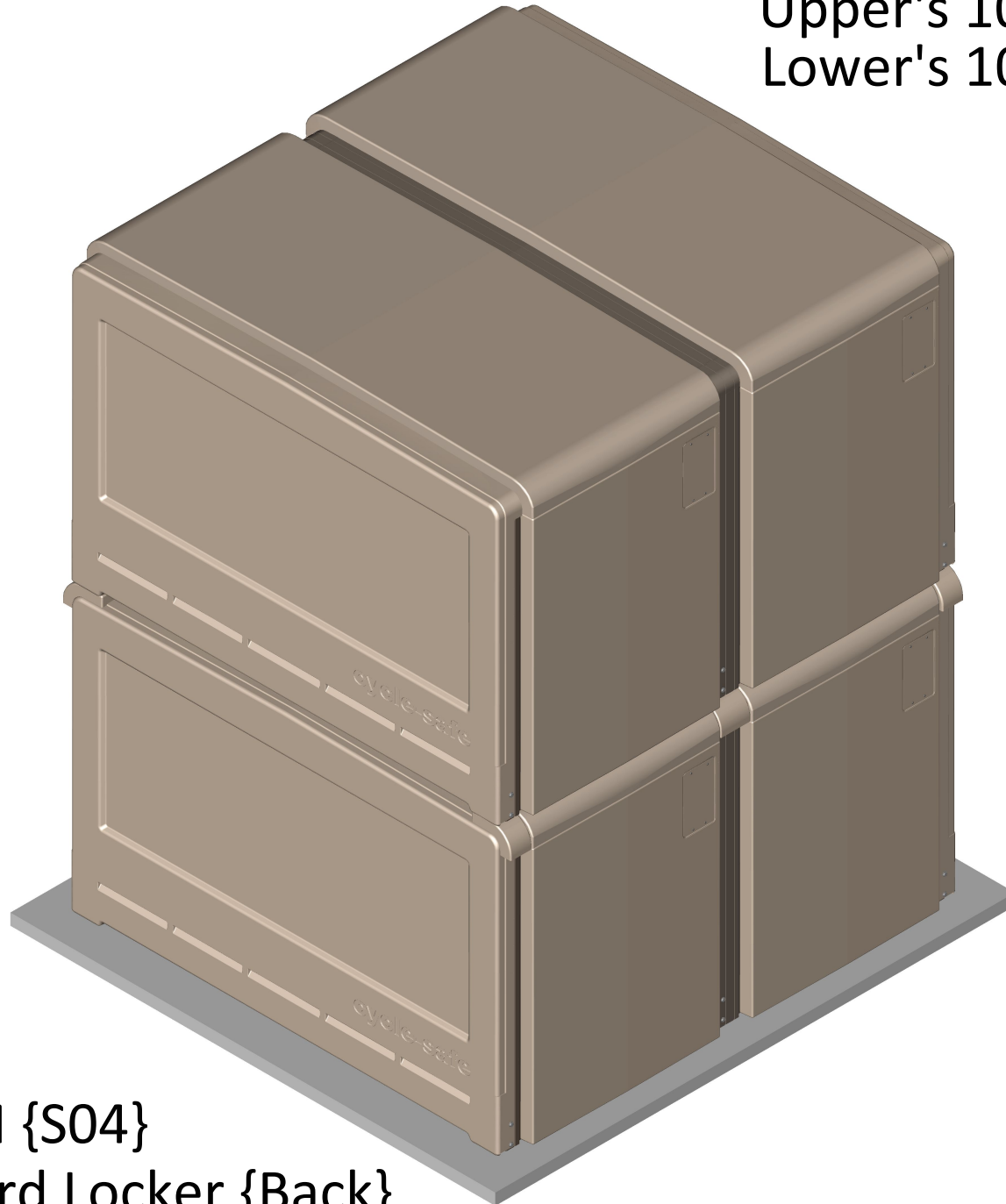
Upper's 10031 & 10051  
Lower's 10017 & 10019



ProPark DT/SM {S04}  
{2-Tier} Standard Locker {Perspective}

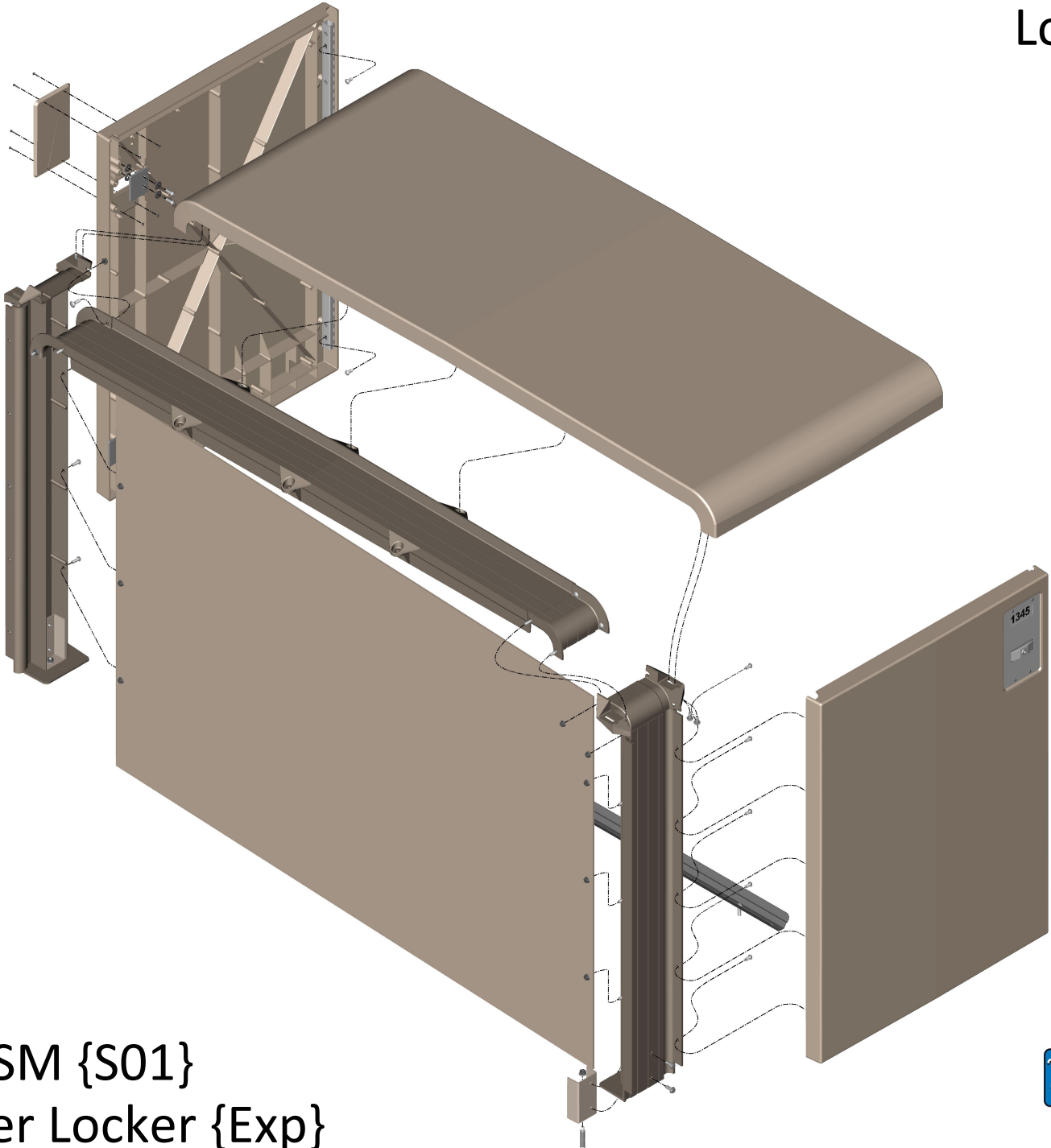


Upper's 10051 & 10031  
Lower's 10019 & 10017

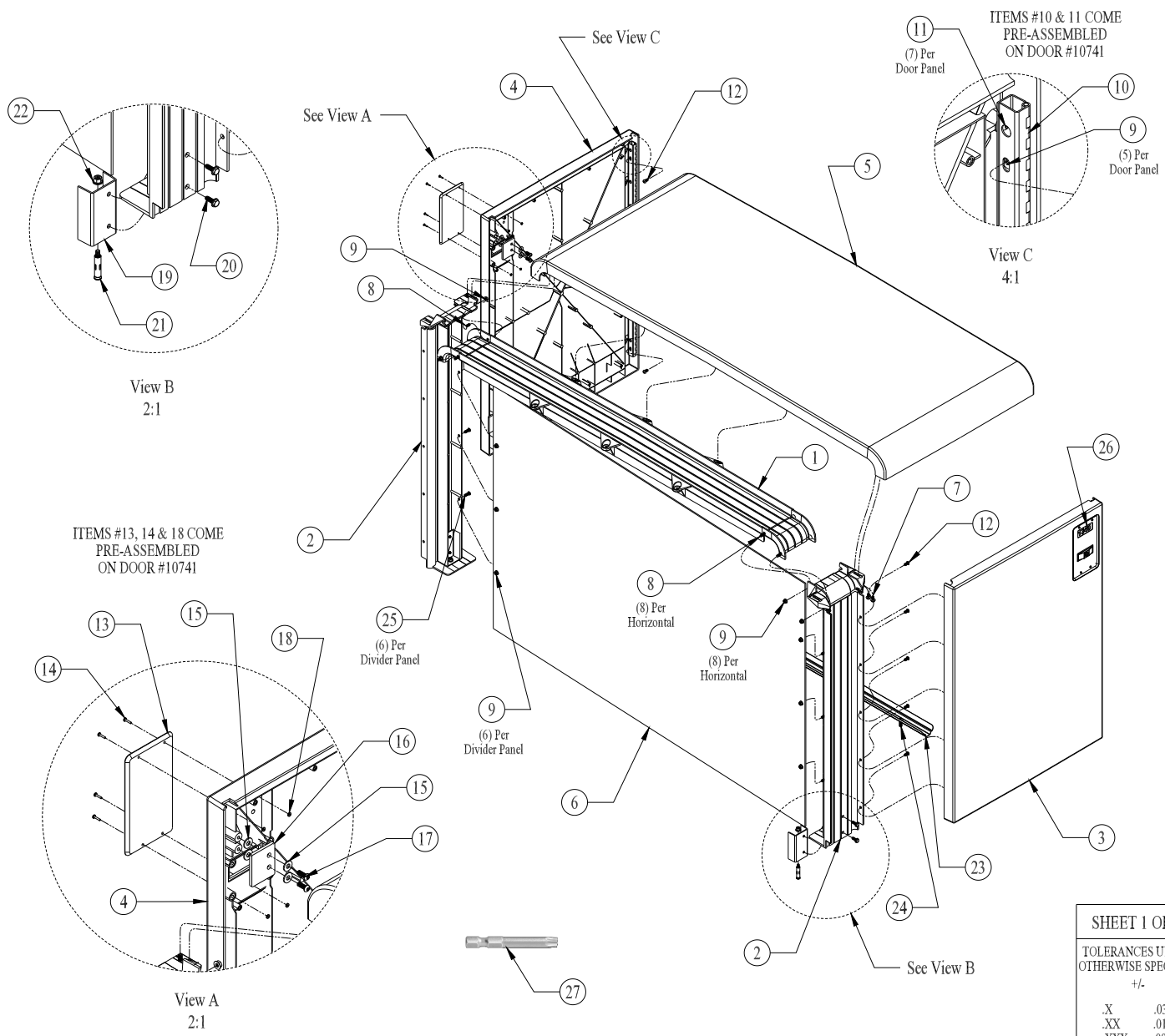


ProPark DT/SM {S04}  
{2-Tier} Standard Locker {Back}

Lower #10019



ProPark DT/SM {S01}  
{2-Tier} Adder Locker {Exp}



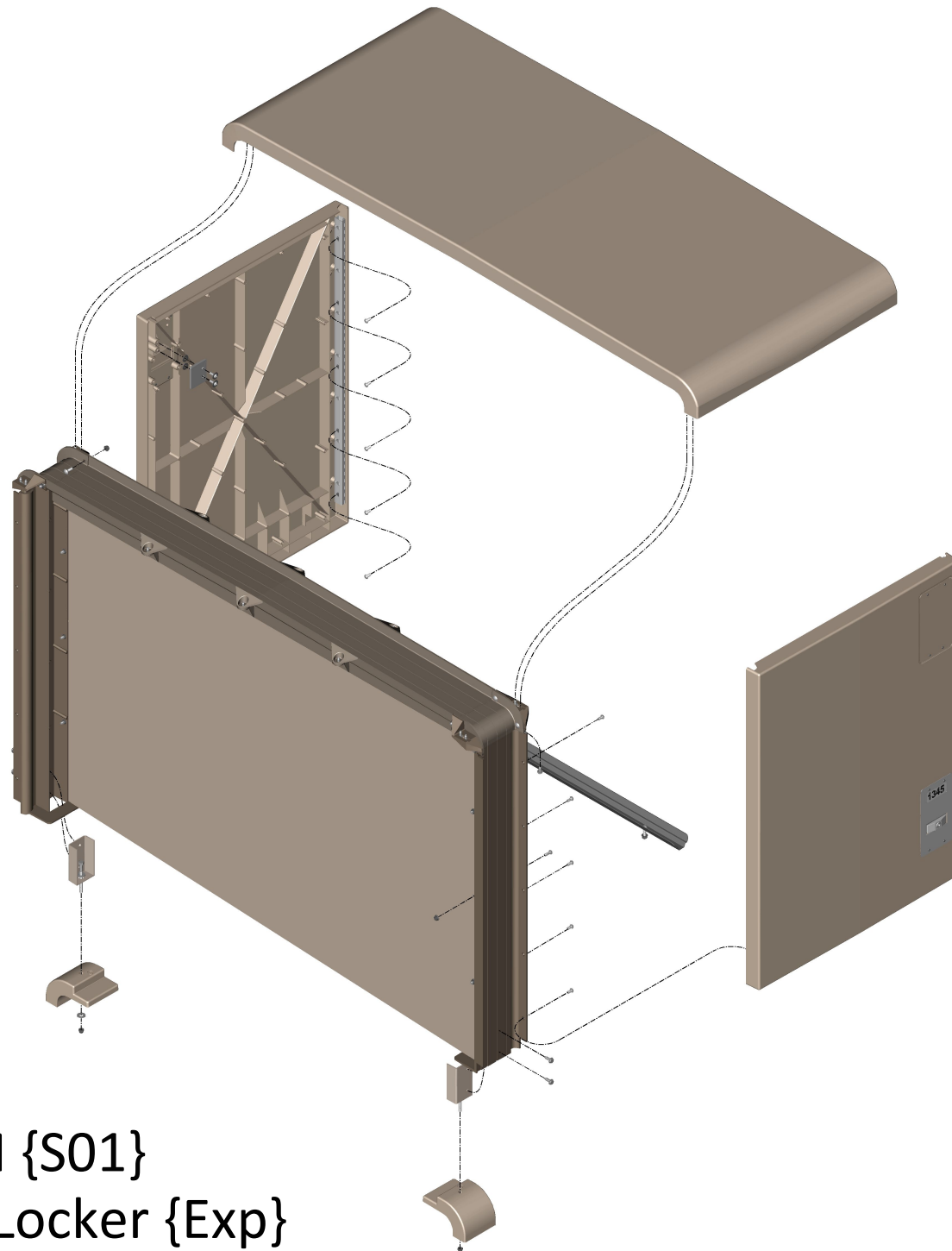
ITEM	QTY	DESCRIPTION	PART NO.
1	1	HORIZONTAL FRAME	10202
2	2	VERTICAL FRAME	10201
3	1	DOOR (LOWER) ASSEMBLY (STANDARD)	10701
4	1	DOOR (LOWER) PANEL (STANDARD)	10700
5	1	TOP PANEL	10301
6	1	DIVIDER PANEL	10101
7	14	5/16-18NC x 1-1/4" LG. SHMS (ZINC)	10222
8	8	5/16-18NC x 1" LG. CARRIAGE BOLT	10208
9	24	5/16-18NC WHIZ NUT (ZINC)	10304
10	1	HINGE ASSEMBLY	10706
11	7	1/4-10NC x 1/2" PHILLIPS PAN HEAD SCREW	10705
12	10	5/16-18NC x 3/4" LG. HHCS	10219
13	1	DOOR (THICK) COVER PLATE	11702
14	4	3/16" x 3/8" x 1/2" LG. S/S POP RIVET	10928
15	8	7/16" ID x 15/16" OD S/S FLAT WASHER	10832
16	2	STATIONARY LATCH	10742
17	4	5/16-18NC x 2" FLANGE HEAD SCREW (ZINC)	10833
18	4	3/16" S/S FLAT WASHER	10929
19	2	LEVELING PLATE	10216
20	4	1/4-20NC x 1-1/4" LG. SELF-TAPPING SCREW	10217
21	2	3/8-16NC x 1-7/8" LG. ANCHOR BOLT	10211
22	2	3/8" S/S FLAT WASHER	10909
23	1	BIKE TRACK	10410
24	3	3/8-16NC LAG BOLT ASSEMBLY	10415
25	6	5/16-18NC x 1-1/4" LG. HHCS (ZINC)	10214
26	1	NUMBER PLATE	10703
27	1	TORX BIT	10801

NOTES:

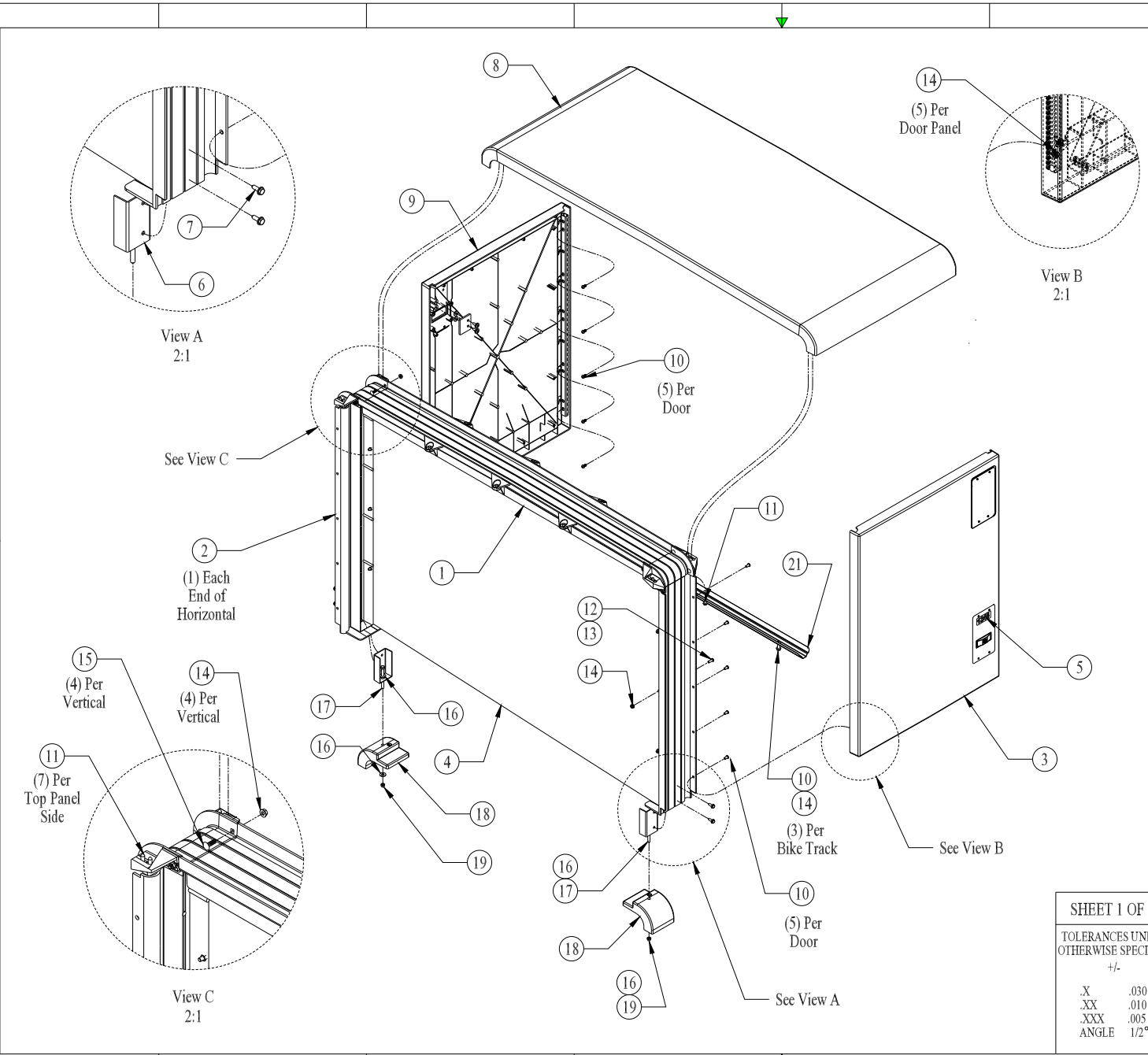
1. ALL MATERIALS MUST BE CLEAN AND FREE OF MILL LUBRICATION
2. ANY BLEMISHES OR RUST WILL NOT BE ALLOWED ON COMPLETED PRODUCTS
3. ITEMS #4, 10-18 ARE SUPPLIED AS THE STATIONARY DOOR ASSEMBLY #10741

SHEET 1 OF 1		B	ADD STATIONARY DOOR ASSEMBLY #10741 NOTES	11/02/13
TOLERANCES UNLESS OTHERWISE SPECIFIED:		A	RELEASE FOR PRODUCTION	08/03/12
+/-		REV	DESCRIPTION	DATE
.X	.030	PROPARK ~ SM {S01} LOCKER (LOWER) ADDER		
.XX	.010	BOB SLYH	08/06/12	<b>Cycle Safe</b> 947 FOREST HILL AVE GRAND RAPIDS, MI 49546 www.cyclesafe.com
.XXX	.005	CHECKED	01/02/13	
ANGLE	1/2°	APPROVED	DATE	
		REV	D	{(SINGLE-SIDED) LOCKER (LOWER) ADDER
				10019
				REV B

Upper #10051



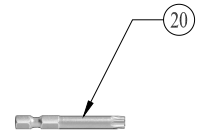
ProPark DT/SM {S01}  
{2-Tier} Adder Locker {Exp}



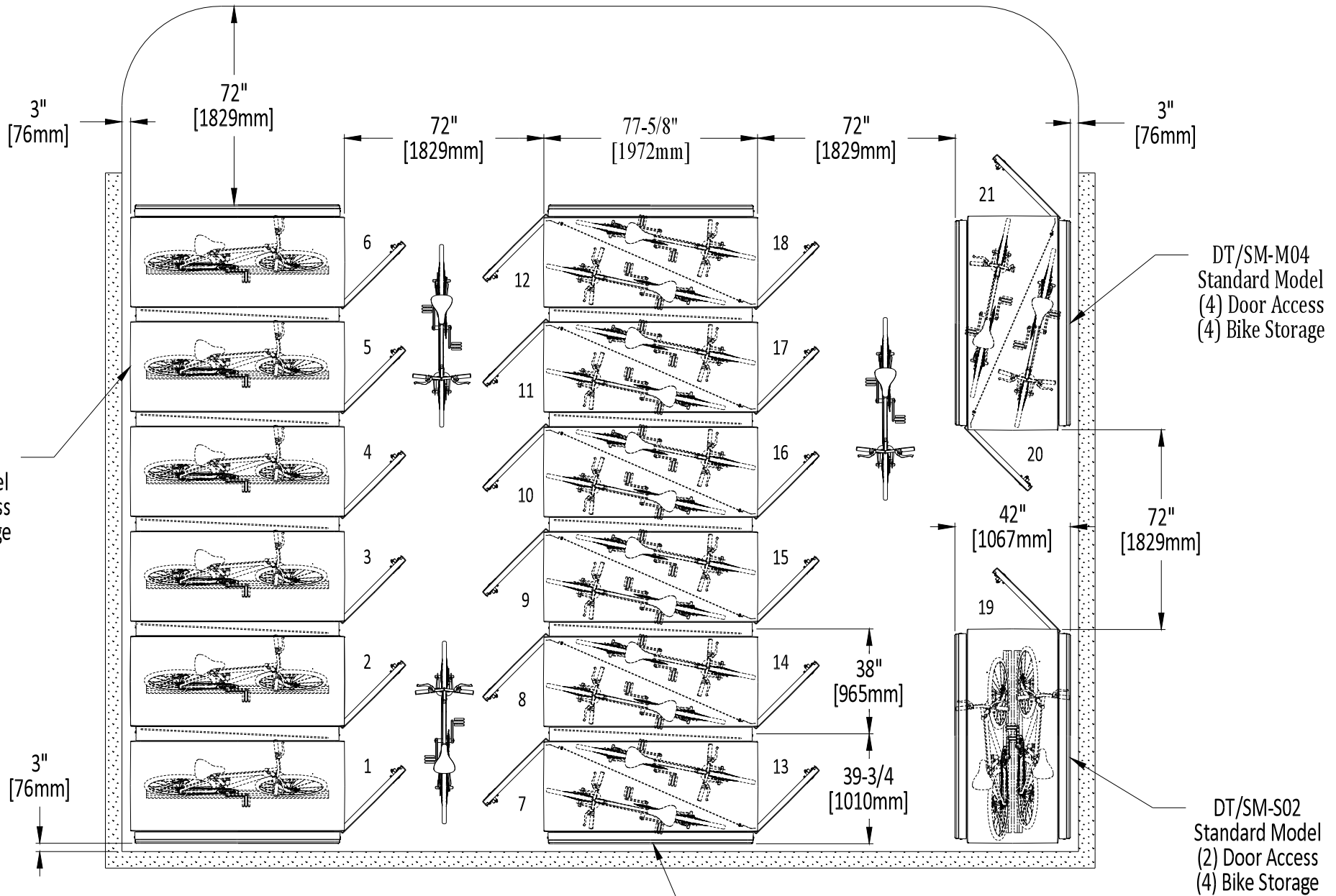
ITEM	QTY	DESCRIPTION	PART NO.
1	1	HORIZONTAL FRAME	10202
2	2	VERTICAL FRAME	10201
3	1	DOOR (UPPER) ASSEMBLY (STANDARD)	11701
4	1	SIDE PANEL	10101
5	1	NUMBER PLATE	10703
6	2	LEVELING PLATE	10216
7	4	1/4"-20NC x 1-1/4" LG. SELF TAPPING SCREW	10217
8	1	TOP PANEL	10301
9	1	DOOR (STATIONARY) ASSY (STANDARD)	10741
10	13	5/16"-18NC x 3/4" LG. HHCS	10219
11	14	5/16"-18NC x 1-1/4" LG. SHMS	10222
12	6	5/16" FLAT WASHER	10218
13	6	5/16"-18NC x 1-1/4" LG. HHCS	10214
14	27	5/16"-18NC WHIZ NUT	10304
15	8	5/16"-18NC X 1" LG. CARRIAGE BOLT	10208
16	4	3/8" S/S FLAT WASHER	10909
17	2	3/8"-16NC x 4" LG. S/S HHCS	11104
18	2	CENTER SPACER BLOCK	11054
19	2	3/8"-16NC S/S NYLOCK NUT	11105
20	1	T40 - TORX BIT	10801
21	1	BIKE TRACK	10410

NOTES:

1. ALL MATERIALS MUST BE CLEAN AND FREE OF MILL LUBRICATION
2. ANY BLEMISHES OR RUST WILL NOT BE ALLOWED ON COMPLETED PRODUCTS



SHEET 1 OF 1		A	RELEASE FOR PRODUCTION	12/07/12		
REV	DESCRIPTION			DATE		
TOLERANCES UNLESS OTHERWISE SPECIFIED:		PROPARK ~ SM {S01} LOCKER (UPPER) ADDER				
+/-		 947 FOREST HILL AVE GRAND RAPIDS, MI 49546 www.cycleSAFE.com				
.X	.030				GERI MOHR	12/27/12
.XX	.010				CHECKED	01/02/13
.XXX	.005				APPROVED	DATE
ANGLE	1/2°					
SIZE	{SM} LOCKER (UPPER) ADDER		10051	REV A		



# CycleSafe {ProPark} Double-Tier Locker Clearance & Capacities

DT/SM-M24  
Standard Model  
(24) Door Access  
(24) Bike Storage



www.cyclesafe.com

# CycleSafe {ProPark} Series Bicycle Locker {Breakdown}

Part #	Model & Access Descriptions	{Examples}
SM-S01	Standard Model + (1) Door = (1-2) Bike Capacity	
SM-M02	Standard Model + (2) Doors = (2) Bike Capacity	
DV-M02	Door-View + (2) Door Access = (2) Bike Capacity	
SV-M04	Side-View + (4) Door Access = (4) Bike Capacity	
VT-M06	View-Thru + (6) Door Access = (6) Bike Capacity	
DT/SM-S24	Double-Tier + (24) Doors = (24) Bikes Capacity	

Model	Name	Description
SM	Standard	No Windows
DV	Door-View	Windows in Doors "Only"
SV	Side-View	Windows in Sides "Only"
VT	View-Thru	Windows in Doors & Sides
DT	Double-Tier	Stacked Lockers & Spacers

**M02 Locker Dims are 50-1/2" OAH x 42" OAW x 77-5/8" OAL**

Part Number	(2) Door Access / Number of Bicycles				Shipping Weight	
	SM	DV	SV	VT	LB	KG
M02	02	02	02	02	450	204
M04	04	04	04	04	760	345
M06	06	06	06	06	1120	508
M08	08	08	08	08	1350	612
M10	10	10	10	10	1740	789
M12	12	12	12	12	1970	894
M14	14	14	14	14	2280	1034
M16	16	16	16	16	2590	1175
M18	18	18	18	18	2900	1315
M20	20	20	20	20	3310	1501
M22	22	22	22	22	3590	1628
M24	24	24	24	24	3870	1755

Part Number	Model	Shipping Weight	
	DT/	LB	KG
M04	04	912	414
M08	08	1544	700
M12	12	2276	1032
M16	16	2748	1246
M20	20	3540	1605
M24	24	4012	1820
M28	28	4644	2106
M32	32	5276	2393
M36	36	5908	2680
M40	40	6740	3057
M44	44	7312	3317
M48	48	7884	3576

Row Length	
IN	CM
43	109
81	206
119	302
157	399
195	495
233	592
271	688
309	785
347	881
385	978
423	1074
461	1171

Part Number	(1) Door Access / Number of Bicycles				Shipping Weight	
	SM	DV	SV	VT	LB	KG
S01	01	01	01	01	393	178
S02	02	02	02	02	646	293
S03	03	03	03	03	949	430
S04	04	04	04	04	1122	509
S05	05	05	05	05	1455	660
S06	06	06	06	06	1628	738
S07	07	07	07	07	1881	853
S08	08	08	08	08	2134	968
S09	09	09	09	09	2387	1083
S10	10	10	10	10	2740	1243
S11	11	11	11	11	2963	1344
S12	12	12	12	12	3186	1445

Part Number	Model	Shipping Weight	
	DT/	LB	KG
S02	02	798	362
S04	04	1316	596
S06	06	1934	877
S08	08	2292	1040
S10	10	2970	1347
S12	12	3328	1510
S14	14	3846	1745
S16	16	4364	1980
S18	18	4882	2214
S20	20	5600	2540
S22	22	6058	2748
S24	24	6516	2956

Row Length	
IN	CM
43	109
81	206
119	302
157	399
195	495
233	592
271	688
309	785
347	881
385	978
423	1074
461	1171